

INSTALLATION INSTRUCTIONS FOR ALL MODELS OF WOLO SERIES 3500 PRIORITY 1 WARNING LIGHTS PERMANENT MOUNT

Your choice of a Wolo warning light is the perfect choice to compliment your vehicle. Wolo's warning lights are manufactured with the finest materials. Each light is tested to meet our high standards before it is packaged, to assure a perfect working light. Our quality workmanship and components are Wolo's assurance of a product that will give years of dependable service.

If you need help using your new Wolo warning lights, our technicians are available to answer your questions, Monday thru Friday, from 9 AM to 4 PM EST at 1-888-550-4676.

MOUNTING

1. Locate the desired location where you wish to mount the warning light. For best results you should make sure the lens is unobstructed so that the light can be seen 360 degrees.
2. The lens of the warning light is removed by unscrewing the four (4) hex screws, one in each corner of the lens. Carefully separate the lens from the base.
3. Position the warning light in the desired mounting location. Using the light base as a template, mark the two mounting hold locations. (See Fig. 1) Remove the warning light from mounting surface.
4. The rubber pad provided will help eliminate vibration and water leaks and has adhesive surface under the peel off paper. (DO NOT PEEL OFF PAPER FROM PAD AT THIS TIME).
5. Clean the surface area that the light is going to be mounted to, so it is free of dirt, wax and oil.
6. Remove the cut circles in the rubber pad. (See Fig. 2).
7. Remove the paper from the rubber pad's surface and carefully position the pad onto the vehicle with adhesive side facing the mounting surface. **IMPORTANT:** be sure the two (2) mounting hole marks (step #3), line up perfectly with the mounting holes in the pad. When pad is in position, press firmly down on the pad for adhesive to hold in place.
8. Drill mounting holes and wire hole to size as shown in Fig. 2.
9. Holding the lights base push the entire power wire through the drilled hole and position the light onto the rubber pad.
10. Secure the base of the warning to the vehicle using the hardware provided. To prevent vibration and water leaks, use only the hardware provided by Wolo in this kit and mount only as shown in Fig. 3.
11. Secure the lens back in place on the base. Be sure not to over tighten and crack the lens.

WIRING

12. Connect the warning light's red wire to (+) volts, battery, alternator, etc. The 15-amp inline fuse provided must be used to protect the vehicle.
13. Connect the warning light's black wire to your on/off switch, (not provided). **IMPORTANT:** Always locate the warning lights on/off switch to be easily reached in order to insure the vehicle can be operated safely under all driving conditions.
14. Connect the other terminal or wire from the on/off switch to ground, any metal body bolt that is clean of paint and rust.
15. If you should need to lengthen any wires use 18 gauge or heavier. Make sure all wire connections are taped and secured.

REPLACEMENT BULB

16. **WARNING: A serious injury can result if the bulb is touched when hot. Always allow five (5) minutes for the bulb to cool before removing. Always wear gloves and eye protection when removing the bulb because Halogen bulbs are pressurized and if broken, glass can be projected.**
17. Replacement bulb type use only H1/55 watt halogen, 12 volt. Current draw: 9.2 amps.
18. Rotate the reflector by turning the motor shaft with your finger until the C-clip located at the base of the bulb can be easily removed by simply sliding it off. (See Fig. 4). **Please note position of the bulb before removing so you can place the new bulb in the same position.**

Fig. 1 POWER WIRE LOCATION

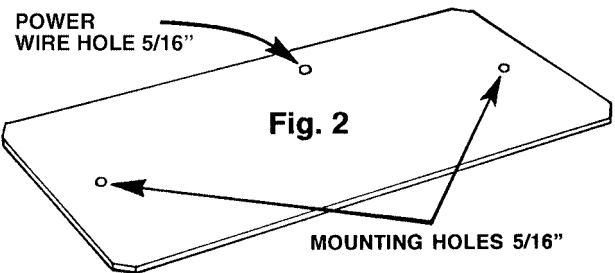
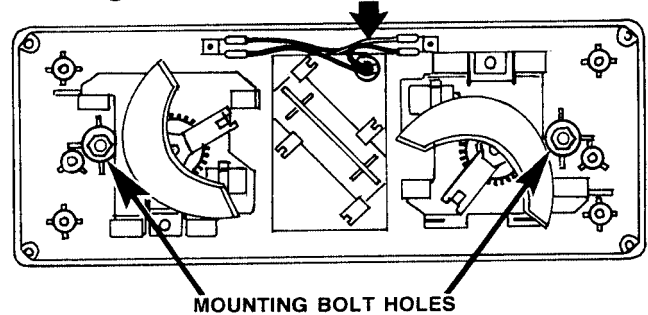


Fig. 3

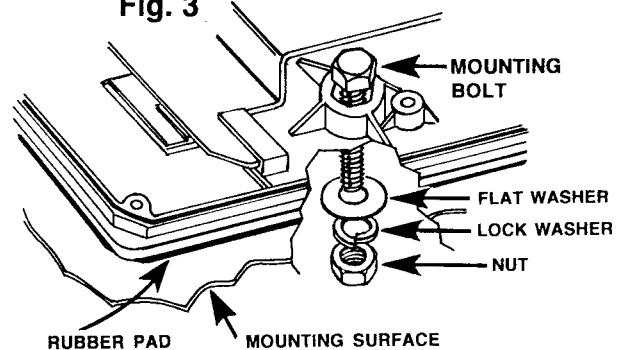
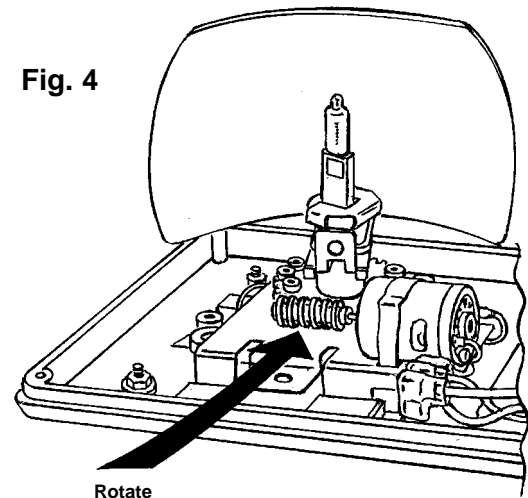
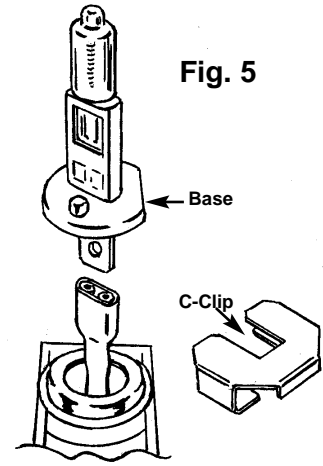


Fig. 4



19. Remove the C-clip then pull the bulb straight up toward the top of the reflector until there is enough wire extended so that you can hold the terminal at the base of the light. While holding the terminal, pull on the bulb at the metal base and it will separate from the terminal. Dispose of the bad bulb out of reach of children and in an environmentally safe manner. (See Fig. 5).
20. Never handle the glass of the new bulb with your fingers, doing such will shorten service life. If by accident you touch the bulb, clean with household glass cleaner.
21. Connect the wire with the female terminal to the base of the new bulb.
22. Position the bulb back into the reflector housing and secure bulb in place with the C-Clamp.



CLEANING

A scratched, dull and or dirty lens, reflector or mirror can cause a reduction in brightness of warning light. Never use a caustic or petroleum base cleaner on any surface of the warning light. For best cleaning results, always use household glass cleaner or mild soap with a soft lint free rag. If the lens, reflector or mirror have scratches, or are dull, it is recommended those components be replaced so to ensure maximum brightness of the warning light.

Warranty

Wolo Manufacturing Corporation ("Wolo") warranties to the original purchaser, for three months from the date of purchase, that this product is free from defects in workmanship and materials. If there is such a proven defect, Wolo, at its option, will either repair or replace the item free of charge, if it is returned to Wolo within three months from the date of purchase together with proof of purchase as described below. Wolo reserves the right to inspect any defect prior to settling any warranty claim by repair or replacement. This warranty is limited as above provided and Wolo will not be responsible for fire or other casualty or accident, due to neglect, abuse, abnormal use, modifications, faulty installation of this product, or natural causes.

ANY EXPRESSED WARRANTY NOT PROVIDED HEREIN IS EXCLUDED AND DISCLAIMED. THE IMPLIED WARRANTIES OF MERCHANTABILITY AND OF FITNESS FOR A PARTICULAR PURPOSE ARE EXPRESSLY LIMITED TO A TERM OF THREE (3) MONTHS. UNDER NO CIRCUMSTANCES SHALL WOLO BE LIABLE TO PURCHASER OR ANY OTHER PERSON FOR ANY SPECIAL OR CONSEQUENTIAL DAMAGES, WHETHER ARISING OUT OF BREACH OF WARRANTY OR OTHERWISE.

To obtain warranty service, return the product prepaid, and include the original bill of sale showing the date of purchase. Provide with the return a brief description of the problem with a daytime telephone number. Also, include with the return a check or money order in the amount of \$20.00 to cover return shipping. Mail to:

Wolo Manufacturing Corp.
 Attn: Warranty Service
 One Saxwood Street
 Deer Park, NY 11729
 E-mail: tech@wolo-mfg.com