

INSTALLATION INSTRUCTIONS FOR SIRIUS 2 MODEL 3570M-A HALOGEN MAGNET MOUNT

Your choice of a Wolo warning light is the perfect choice to compliment your vehicle. Sirius is manufactured with the finest materials. Each light is tested to meet our high standards before it is packaged, so to assure a perfect working light. Our quality workmanship and components are Wolo's assurance of a product that will give years of dependable service.

If you need help using your new Wolo warning lights, our technicians are available to answer your questions, Monday thru Friday, from 9 AM to 4 PM EST at 1-888-550-4676.

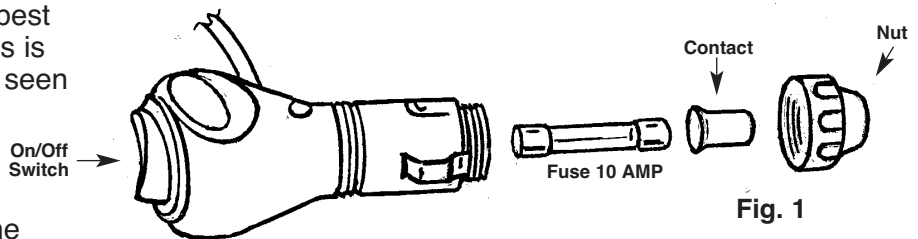
IMPORTANT: The vehicle should never be driven with this warning light magnetically mounted. It is possible that the light could dislodge off the mounting surface and cause damage, injury, or death. Ignoring this warning shall be the sole responsibility of the user and or vehicle owner.

MAGNET MOUNT

1. The magnets' holding power to the mounting surface is dependent upon the following: flatness, condition and finish as well as the thickness of steel surface. For maximum magnet strength, follow these recommendations:
 - A. The vehicle's mounting surface should be kept clean and free of wax, dirt, dust and foreign particles.
 - B. The bottom of the magnets rubber cover should be kept clean and free of wax, dirt, dust and foreign particles.
 - C. Always make sure that the mounting surface is flat and that all four (4) magnets are fully secured to the mounting surface.
 - D. Never attempt to secure magnet mount to a vehicle that has fabric or vinyl covering the mounting surface.
2. Locate the desired location where you wish to mount the warning light. For best results you should make sure the lens is unobstructed so that the light can be seen 360 degrees.

POWERING WARNING LIGHT:

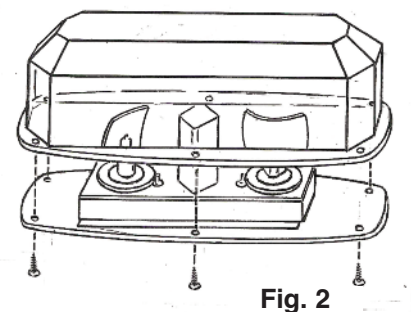
3. To turn on the warning light, simply insert the cigarette lighter plug into the vehicles power outlet.
4. Press the on/off button on the back on the cigarette lighter plug. When the light is operating the LED on the plug's switch will illuminate.
5. To turn off the warning light, remove the cigarette lighter plug from the vehicle's power socket or position the on/off switch to off. **IMPORTANT:** The cigarette lighter plug has a built-in fuse to protect the warning light and the vehicle. If the warning light does not turn on when the plug is inserted into the vehicle power socket, check the fuse built into the power plug by the following method: The tip of the power plug has a chrome push-in contact which is secured by a black nut. Unscrew the nut which will give you access to the light's fuse. If the fuse needs to be replaced, use a 10-amp fuse. Follow the reverse procedure to re-assemble fuse back into power-plug. (See Fig. 1)



REPLACING BULB

WARNING: A serious injury can result if the bulb is touched when hot. Always allow five (5) minutes for the bulb to cool before removing. Always wear gloves and eye protection when removing the bulb because Halogen bulbs are pressurized and if broken, glass can be projected.

6. Remove the six screws located at the bottom of the light (one in each corner and one in the middle each side) holding the lens to the lights base and remove lens. (See Fig. 2)
7. Replacement bulb type: use only halogen 796 / 35watt halogen, 12 volt. Current draw: 2.73 amps.



8. Rotate the reflector by turning it with your finger until the bulb can be easily accessed for removal.
9. To remove the bulb, press downward and turn counter clockwise. Then the bulb can be removed from its socket by lifting upward. Always dispose of the bad bulb out of reach of children and environmentally safe.
10. Never handle the glass of the new bulb with your fingers, doing so will shorten service life. If by accident you touch the bulb, clean the bulb with household glass cleaner.
11. Position the new bulb into the socket, depress the bulb and turn clockwise. **IMPORTANT:** There is a rubber gasket around the edge of the lens. Make sure the gasket is positioned properly around the lens so to prevent water and dirt from entering inside the light. Place the lens back onto the light's base and secure with the screws that were removed earlier. (See Fig. 3)

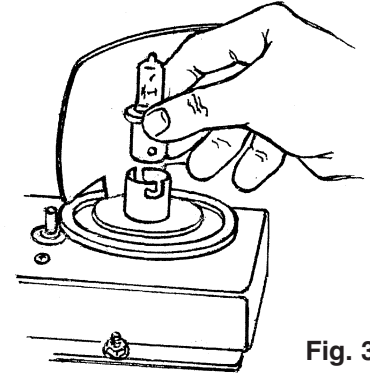


Fig. 3

CLEANING

A scratched, dull or dirty lens, reflector or mirror can cause a reduction in brightness of warning light. Never use a caustic or petroleum base cleaner on any surface of the warning light. For best cleaning results, always use household glass cleaner or mild soap with a soft lint free rag. If the lens, reflector or mirror have scratches, or are dull, it is recommended those components be replaced so to ensure maximum brightness of the warning light.

Warranty

Wolo Manufacturing Corporation ("Wolo") warranties to the original purchaser, for three months from the date of purchase, that this product is free from defects in workmanship and materials. If there is such a proven defect, Wolo, at its option, will either repair or replace the item free of charge, if it is returned to Wolo within three months from the date of purchase together with proof of purchase as described below. Wolo reserves the right to inspect any defect prior to settling any warranty claim by repair or replacement. This warranty is limited as above provided and Wolo will not be responsible for fire or other casualty or accident, due to neglect, abuse, abnormal use, modifications, faulty installation of this product, or natural causes.

ANY EXPRESSED WARRANTY NOT PROVIDED HEREIN IS EXCLUDED AND DISCLAIMED. THE IMPLIED WARRANTIES OF MERCHANTABILITY AND OF FITNESS FOR A PARTICULAR PURPOSE ARE EXPRESSLY LIMITED TO A TERM OF THREE (3) MONTHS. UNDER NO CIRCUMSTANCES SHALL WOLO BE LIABLE TO PURCHASER OR ANY OTHER PERSON FOR ANY SPECIAL OR CONSEQUENTIAL DAMAGES, WHETHER ARISING OUT OF BREACH OF WARRANTY OR OTHERWISE.

To obtain warranty service, return the product prepaid, and include the original bill of sale showing the date of purchase. Provide with the return a brief description of the problem. Also, include with the return a check or money order in the amount of \$10.00 to cover return shipping. Mail to:

Wolo Manufacturing Corp.
One Saxwood Street, Deer Park, NY 11729
Attn: Warranty Service
E-mail: tech@wolo-mfg.com