

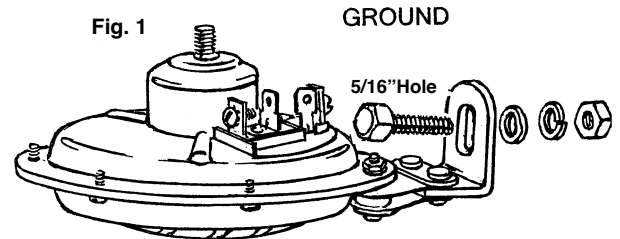
INSTALLATION INSTRUCTIONS FOR 370LC DISC HORN

Your purchase of a Wolo industrial horn is a perfect choice for your equipment for both new and replacement requirements. Wolo's products are manufactured with the finest materials. Each horn is tested to ensure it meets all manufacturing specifications, before it is packaged. If you need help installing this product, our technicians are available to answer your questions, Monday through Friday from 9AM to 4 PM EST by calling 1-888-550-HORN (4676).

IMPORTANT: This horn is available in different voltage ratings; before installing this horn, make sure the voltage rating matches the vehicles operating voltage and or horn system's voltage.

MOUNTING FIG. #1

1. Remove the factory horn, and install your new Wolo horn in the same location. When possible face the horn downward to prevent dirt and water from entering into the horn. Using the horn's mounting bracket as a template mark hole location and drill to size. Secure the horn to the vehicle using the bracket and hardware provided. **Note:** The horn bracket is a function part of the horn to produce the proper sound. Do not bend, cut or re-shape the bracket, doing such will affect the sound and performance of the horn.



WIRING

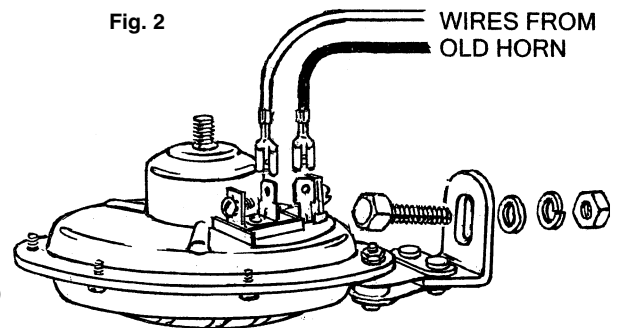
NOTE: There are two different types of terminals on each post, (one screw and one push-on). It is recommended that the screw terminals be used when the horn is installed on equipment or vehicles that are subjected to high vibration.

TWO (2) TERMINAL WIRING FIG. #2

(Replacement Installation, for vehicles that have an existing horn system)

2. For vehicles where the factory horn wires are connected to two (2) horn terminals, simply transfer the factory horn wires to the new Wolo horn. Carefully inspect the horn wires before connecting them to your new Wolo horn so to ensure that they are clean and free of dirt and corrosion. It doesn't make a difference which horn terminal post is used when transferring the wires from your factory horn. When using the screw terminals always make sure they are securely tightened.

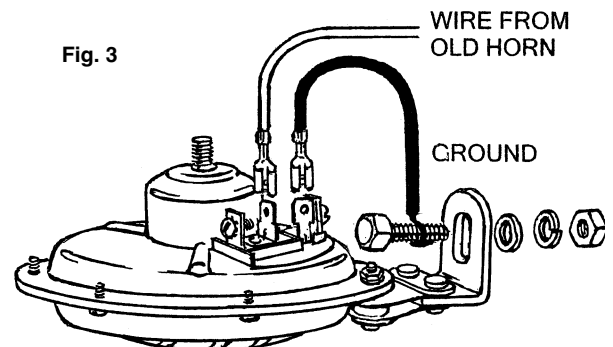
IMPORTANT: Always make sure that an in-line fuse is used in the horn circuit to protect the vehicle, see chart below for correct amperage, (fuse not included). The horn installation is complete and the horn is ready to be used. Make sure all wires are safe and secure.



ONE (1) TERMINAL WIRING FIG. #3

(Replacement Installation, for vehicles that have an existing horn system)

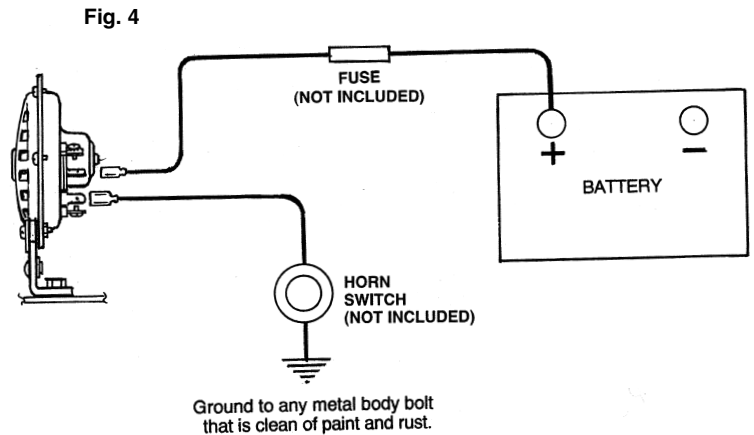
3. For vehicles where the factory horn wire connects to only one (1) horn terminal. Transfer the factory horn wire to your new Wolo horn. It doesn't make a difference which horn terminal post is used when transferring the wire from your factory horn. Carefully inspect the horn wire before connecting it to your new Wolo horn so to ensure that it is clean and free of dirt and corrosion.



4. The other horn terminal is connected to ground using any of the following locations; under the horn's mounting bolt if mounted on a metal body surface, under any clean metal body bolt or the (-) negative post of the battery. Always make sure the metal ground surface is free of paint, rust and oxidation.
5. Attach the other end of the grounding wire to the unused horn terminal post. When using the screw terminals always make sure they are securely tightened. **IMPORTANT:** Always make sure that there is an in-line fuse used in the horn circuit to protect the vehicle, see chart below for correct amperage, (fuse not included). The horn installation is complete and the horn is ready to be used. Make sure all wires are safe and secure.

INSTALLATION USING A NEW HORN BUTTON SWITCH FIG. #4

6. Connect one of the horn's terminals to a (+) positive power source such as: battery, alternator, fuse block and etc. Use 16-gauge or heavier wire. **IMPORTANT:** Always make sure that there is an inline fuse used in the horn circuit to protect the vehicle, see chart below for correct amperage, (fuse not included).
7. Connect the horn's other terminal to the horn switch, (switch not included).
8. Connect the horn switch's other terminal to ground, any metal body surface that is clean of paint and rust. Installation is complete.
9. When using the horn's screw terminals, always make sure they are securely tightened. See below for correct fuse amperage, (fuse not included). Make sure all wires are safe and secure.



Voltage Fuse	12 6-amp	24 3-amp	36 3-amp	36/48 3-amp	48 3-amp	72/80 3-amp
---------------------	---------------------	---------------------	---------------------	------------------------	---------------------	------------------------

Warranty

Wolo Manufacturing Corporation ("Wolo") warranties to the original purchaser, for three months from the date of purchase, that this product is free from defects in workmanship and materials. If there is such a proven defect, Wolo, at its option, will either repair or replace the item free of charge, if it is returned to Wolo within three months from the date of purchase together with proof of purchase as described below. Wolo reserves the right to inspect any defect prior to settling any warranty claim by repair or replacement. This warranty is limited as above provided and Wolo will not be responsible for fire or other casualty or accident, due to neglect, abuse, abnormal use, modifications, faulty installation of this product, or natural causes.

ANY EXPRESSED WARRANTY NOT PROVIDED HEREIN IS EXCLUDED AND DISCLAIMED. THE IMPLIED WARRANTIES OF MERCHANTABILITY AND OF FITNESS FOR A PARTICULAR PURPOSE ARE EXPRESSLY LIMITED TO A TERM OF THREE (3) MONTHS. UNDER NO CIRCUMSTANCES SHALL WOLO BE LIABLE TO PURCHASER OR ANY OTHER PERSON FOR ANY SPECIAL OR CONSEQUENTIAL DAMAGES, WHETHER ARISING OUT OF BREACH OF WARRANTY OR OTHERWISE.

To obtain warranty service, return the product prepaid, and include the original bill of sale showing the date of purchase. Provide with the return a brief description of the problem. Also, include with the return a check or money order in the amount of \$20.00 to cover return shipping. Mail to:

Wolo Manufacturing Corp.
 One Saxwood Street
 Deer Park, NY 11729
 Attn: Warranty Service