

Model 4000 ALERT™ INSTALLATION INSTRUCTIONS

INSTALLATION AND OPERATION INSTRUCTIONS

Your purchase of a WOLO product is a perfect choice to compliment your vehicle. Our products are manufactured with the finest of materials. Each siren is bench tested before it is packaged to assure workmanship and quality, so you will have years of reliable service. If you need help with installation or in using your new Wolo siren, our technicians are available to answer your questions, Monday thru Friday, from 9 AM to 4 PM EST at 1-888-550-4676.

IMPORTANT: THE MODEL 4000 ALERT™ SHOULD NEVER BE USED AS A SIGNALING OR WARNING DEVICE UNLESS AUTHORIZED TO DO SO BY FEDERAL, STATE, OR LOCAL LAW ENFORCEMENT.

Bracket position for console mounting

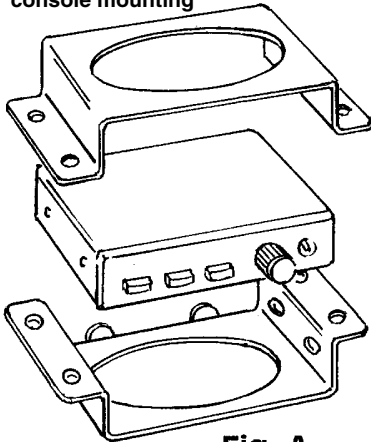


Fig. A

Bracket position for under dash mounting

MOUNTING SIREN CONTROLLER

1. Select a mounting location in the vehicle that allows easy access to the buttons and volume control on the face of the siren controller.
2. Position the mounting bracket onto the siren controller. (Note: the bracket can be mounted either on top of the siren controller for console mount or from the bottom for under dash mount). See Fig. (A).
3. The bracket is secured to siren controller on one side with two (2) screws. See Fig. (B).
4. Place the siren controller in the selected mounting location. Using the mounting bracket as a template, mark location of mounting holes to be drilled.
5. Drill holes (4) on market S/B Drill four-(4) holes on the marked locations. using a 1/8-inch drill bit and mount the siren controller with the self-tapping screws provided. See Fig. (C).

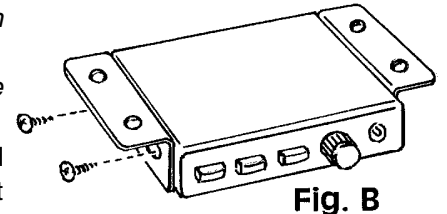


Fig. B

MOUNTING SPEAKER

6. Select a location in the engine compartment that is dry and safe from the engine's exhaust manifold heat or in a roof mounted light bar. When possible position the speaker facing downward which will help prevent water from entering into the speaker. To ensure the siren always functions to maximum

loudness, make sure the front of the speaker is not blocked.

7. Using the speaker's mounting bracket as a template, mark the hole locations and drill using an 1/4 inch drill bit.
8. Secure the speaker to mounting surface with hardware provided. See Fig. (D).

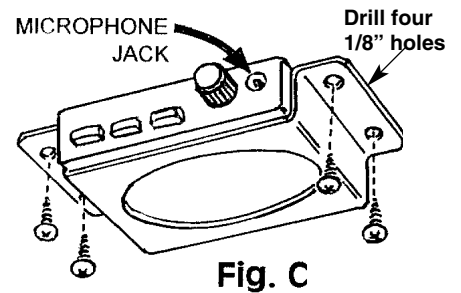


Fig. C

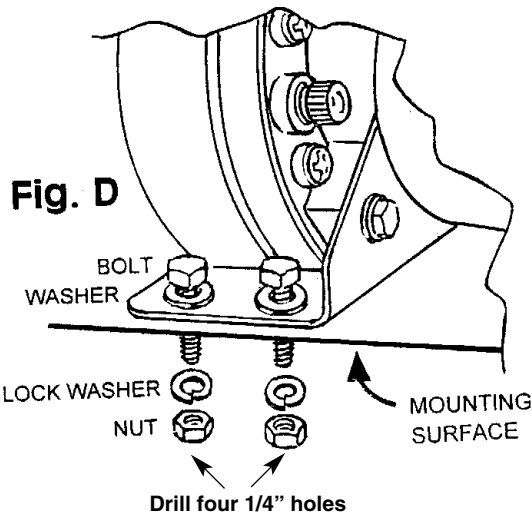
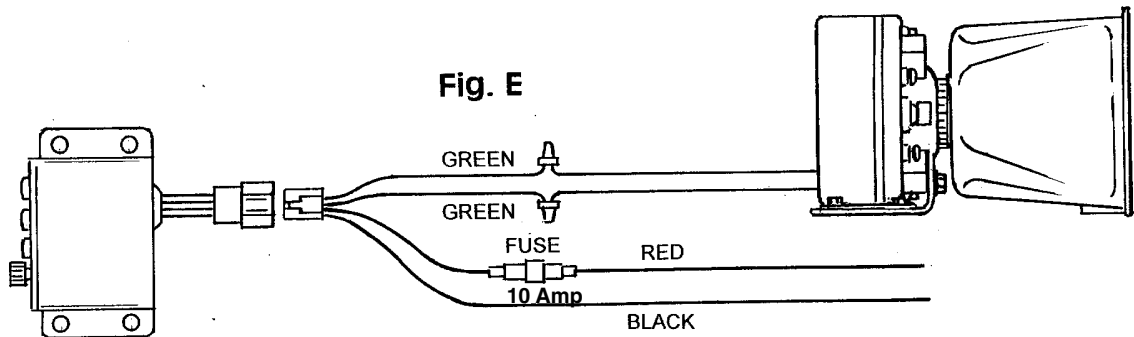


Fig. D

WIRING HARNESS (Fig. E)

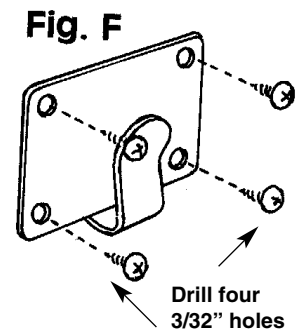
9. Connect the wire harness to the siren controller by pushing the plugs together.
10. **GREEN WIRES** are connected to the Speaker's green wires. Connect either green wire from the harness to one of the speaker's wires. Then connect the remaining green wire from the wire harness to the other speaker wire. You will need to route the harness green wires through the vehicle firewall or roof depending on speaker's mounting location. Make sure that the hole the wires are being passed through does not have sharp edges that could cut into the plastic insulation of the wire.

11. **RED WIRE** is connected to the vehicle's fuse-block or a under dash wire that has 12-volts when the ignition is on. The red wire is provided with an in-line fuse. *(Note: if you need to replace the fuse use a 10 amp.)*
 12. **BLACK WIRE** is connected to ground. Secure black wire under a metal body bolt in the dashboard area; make sure that the METAL surface around the bolt is clean of rust and paint to make a good electrical connection.
- NOTE:** Tape all connections and secure wires.



TESTING AND OPERATION

13. Put the vehicle's ignition on so to power your Alert Siren during testing.
14. **AIR HORN BUTTON** – Push and release control button, air horn turns on/off so operator can make unique emergency sound. The rotary knob controls the output volume of the air horn sound.
 - Siren #1 Yelp** – Push and release control button, siren turns on/off so operator can make unique emergency siren sound. The rotary knob controls the output volume of the air horn sound.
 - Siren #2 Wail** – Push control button and siren turns on and stays on until control button is pressed a second time. The rotary knob controls the output volume of the air horn sound.
 - Microphone**– The microphone jack is inserted into the front of the siren controller next to the rotary knob. Press the microphone button and talk into the microphone. The rotary knob controls the output of the air horn sound.
15. **MICROPHONE HOLDER** – Locate a mounting surface where microphone can easily be reached . Using the microphone holder as a template, mark location of mounting holes to be drilled.
16. Drill holes (4) on marked locations using a 3/32 inch drill bit and secure the microphone holder with the self-tapping screws provided. See Fig. (F).



Warranty

Wolo Manufacturing Corporation ("Wolo") warranties to the original purchaser, for three months from the date of purchase, that this product is free from defects in workmanship and materials. If there is such a proven defect, Wolo, at its option, will either repair or replace the item free of charge, if it is returned to Wolo within three months from the date of purchase together with proof of purchase as described below. Wolo reserves the right to inspect any defect prior to settling any warranty claim by repair or replacement. This warranty is limited as above provided and Wolo will not be responsible for fire or other casualty or accident, due to neglect, abuse, abnormal use, modifications, faulty installation of this product, or natural causes.

ANY EXPRESSED WARRANTY NOT PROVIDED HEREIN IS EXCLUDED AND DISCLAIMED. THE IMPLIED WARRANTIES OF MERCHANTABILITY AND OF FITNESS FOR A PARTICULAR PURPOSE ARE EXPRESSLY LIMITED TO A TERM OF THREE (3) MONTHS. UNDER NO CIRCUMSTANCES SHALL WOLO BE LIABLE TO PURCHASER OR ANY OTHER PERSON FOR ANY SPECIAL OR CONSEQUENTIAL DAMAGES, WHETHER ARISING OUT OF BREACH OF WARRANTY OR OTHERWISE.

To obtain warranty service, return the product prepaid, and include the original bill of sale showing the date of purchase. Provide with the return a brief description of the problem. Also, include with the return a check or money order in the amount of \$10.00 to cover return shipping. Mail to:

Wolo Manufacturing Corp. One Saxwood Street, Deer Park, NY 11729
Attn: Warranty Service E-mail: tech@wolo-mfg.com