

INSTALLATION INSTRUCTIONS FOR HIGH PRESSURE AIR FILTER MODEL 813-FIL

Your purchase of a Wolo air filter for a high-pressure on-board air system is the perfect choice for an easy and professional installation that will protect and keep your valuable horns in a good operating condition, preventing dirt and rust from entering into the sound chamber. Wolo's products are manufactured with the finest materials. Before being packaged, each filter is carefully inspected to ensure that it meets all manufacturing specifications. If you need help installing this product, our technicians are available to answer your questions, Monday through Friday from 9 AM to 4 PM EST by calling 1-888-550-HORN (4676).

Product Safety Information:

WARNING

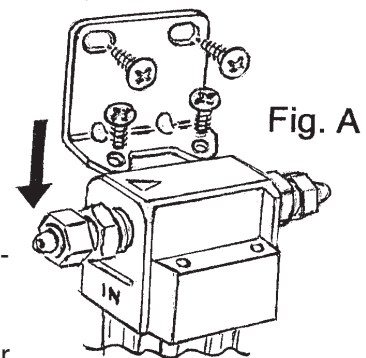
1. Before installation of the mini air filter is attempted, it is important to read these instructions completely. The lives of people are dependent on a proper installation of a vehicle's horn or emergency sounding system. The person installing this air filter must have knowledge of the proper method of connecting an air hose to the vehicle's on-board air system. Again, read these instructions completely and note any messages marked "**IMPORTANT**" or "**WARNING**". A safe installation will prevent serious injury or damage to the vehicle.

The Model 813-FIL is engineered to protect the vehicle's high-pressure on-board air system from dirt, scale, oil vapors, and water. These contaminants can cause malfunction or loss of the vehicle's horn.

- Install the air filter in an accessible location where it is safe from damage, puncture and engine manifold heat.
- Eye protection should always be worn when performing maintenance on the on-board air system.
- Never connect the air filter to anything other than compress air.
- Do not expose this product to direct sunlight, radiant heat, heavy vibration, shock, chemicals, and vapors from organic solvents, water, salt water or steam.
- Polycarbonate Bowl: To avoid leaks, rupture and / or damage that can cause personal injury or property damage, never expose the internal parts or external housing to chemicals that are incompatible; Paint thinner, Certain Alcohols, Aniline, Carbon Tetrachloride, Chlorinated Hydrocarbons, Chloroform, Esters, Ethyl Acetate, Kerosene, Lactic Acid, Nitric Acid, Nucleic Acid, Organic solvents, Chemical Solvents, Paints and fumes, Trichloroethylene, Compressor Oils containing Ester based additives, Synthetic Oils and fumes with any of the above substances.
- All maintenance instructions must be followed to ensure proper and safe system operation.

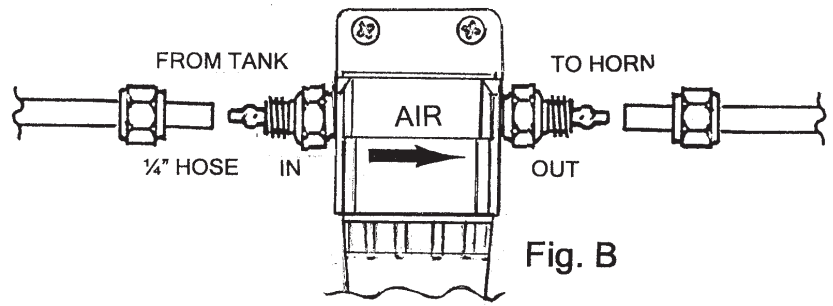
MOUNTING: (Fig. A)

2. Locate the desired area you wish to mount the air filter. **IMPORTANT:** make sure the area directly under the air filter will not be affected if subjected to water when the air filter is drained. For best results, the filter should be mounted vertically. Use the air filter's mounting bracket as a template, mark the two hole locations and drill to size 3/16". **NOTE:** Make sure the air hose from the on-board air system's tank is facing the filter's fitting marked "IN". If the air hose from the on-board tank aligns with the filter's "OUT" fitting, the mounting bracket needs to be relocated to the opposite side of the filter. When relocating the bracket the air hose from the on-board tank will align with the "IN" fitting, preventing any sharp bends of the air hose. Simply remove the two Phillips head screws that secure the bracket to the filter, relocate the bracket to the opposite side and secure using the same screws. Secure the air filter to the selected mounting location using the screws provided.



CONNECTING AIR LINES (Fig. B)

3. Connect the 1/4" air hoses to the filter as shown. **IMPORTANT:** The air hose from the on-board air system tank must be connected to the air filter in the direction of the arrow and to the fitting marked "IN". The filter fitting marked "OUT" will connect to the air hose going to the horn. **NOTE:** To avoid air leaks do not over tighten the air hose compression fittings.

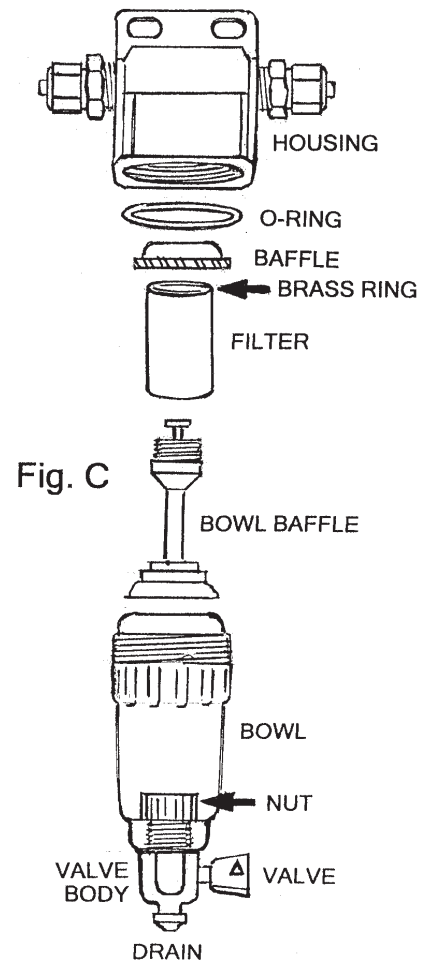


OPERATION:

4. Before pressurizing the system, make certain the filter's plastic bowl is securely locked in place by hand tightening the bowl until it is snug. Close the manual drain by turning the valve so that the indicator is ▲ pointing upward. Turn on the air compressor and fully charge the on-board air system. Inspect for air leaks.

MAINTENANCE:

5. The air filter is designed to automatically drain (slow drip) when there is between 0 to 14 pounds of pressure in the system. When the system pressure exceeds 14.2 PSI the automatic draining will stop. The bowl can also be drained manually by opening the valve when the system is pressurized.
6. Drain bowl if you see any water build up. To avoid spray or splatter of the water that is in the filter's bowl, either connect a 1/4" soft rubber tube to the bottom of filter or cover the drain with a cloth. Turn the manual drain so that the indicator ▼ is pointing downward. When draining is completed, close the valve so that the indicator ▲ is pointing upward.
7. Inspect the filter element, if dirty remove and clean following the procedure below:
- Remove the water bowl, turn by hand counter clockwise.
 - Remove the bowl baffle by turning the black base counter clockwise. You can also use a #8 Metric Allan wrench, which is inserted into the base of the bowl baffle.
 - The filter can be removed and cleaned with water and mild liquid soap.
 - Inspect and replace cracked, damaged or deteriorated seals. Wipe the inside of the bowl with a soft, dry cloth to clean when required.
 - Reassemble the filter **IMPORTANT:** Make sure the O-ring that seals the water bowl to the housing is not damaged before securing the water bowl.



WARRANTY

Wolo Manufacturing Corporation ("Wolo") warranties to the original purchaser, for three months from the date of purchase, that this product is free from defects in workmanship and materials. If there is such a proven defect, Wolo, at its option, will either repair or replace the item free of charge, if it is returned to Wolo within three months from the date of purchase together with proof of purchase as described below. Wolo reserves the right to inspect any defect prior to settling any warranty claim by repair or replacement. This warranty is limited as above provided and Wolo will not be responsible for fire or other casualty or accident, due to neglect, abuse, abnormal use, modifications, faulty installation of this product, or natural causes.

ANY EXPRESSED WARRANTY NOT PROVIDED HEREIN IS EXCLUDED AND DISCLAIMED. THE IMPLIED WARRANTIES OF MERCHANTABILITY AND OF FITNESS FOR A PARTICULAR PURPOSE ARE EXPRESSLY LIMITED TO A TERM OF THREE (3) MONTHS. UNDER NO CIRCUMSTANCES SHALL WOLO BE LIABLE TO PURCHASER OR ANY OTHER PERSON FOR ANY SPECIAL OR CONSEQUENTIAL DAMAGES, WHETHER ARISING OUT OF BREACH OF WARRANTY OR OTHERWISE.

To obtain warranty service, return the product prepaid, and include the original bill of sale showing the date of purchase. Provide with the return a brief description of the problem. Also, include with the return a check or money order in the amount of \$10.00 to cover return shipping. Mail to:

Wolo Manufacturing Corp. • One Saxwood Street, Deer Park, NY 11729 • Attn: Warranty Service • E-mail: tech@wolo-mfg.com